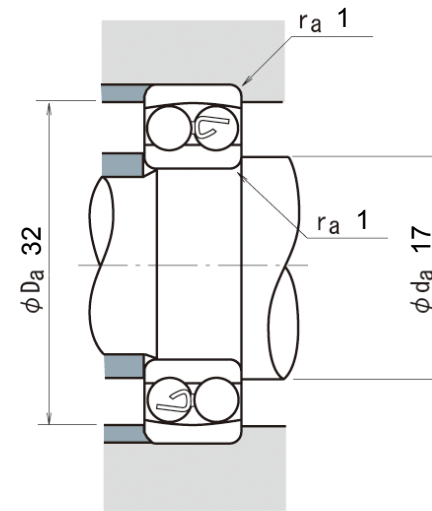
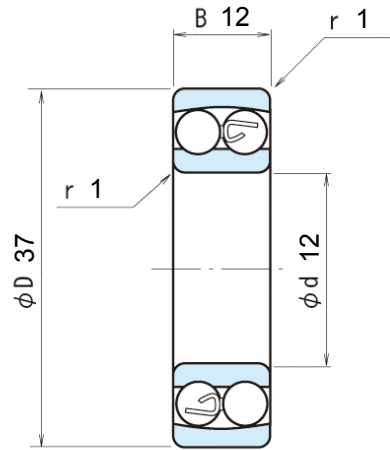


Boundary Dimensions (mm)				Basic Load Ratings (kN)		Limiting Speeds (min ⁻¹)		Bearing Numbers	NSKHPS
<i>d</i>	<i>D</i>	<i>B</i>	<i>r</i> min.	<i>C_r</i>	<i>C_{0r}</i>	Grease	Oil		
12	37	12	1	9.65	2.16	18000	22000	1301	



Constant <i>e</i>	Axial Load Factors			Mass (kg) approx.
	<i>Y₂</i>	<i>Y₃</i>	<i>Y₀</i>	
0.33	2.9	1.9	2	0.066